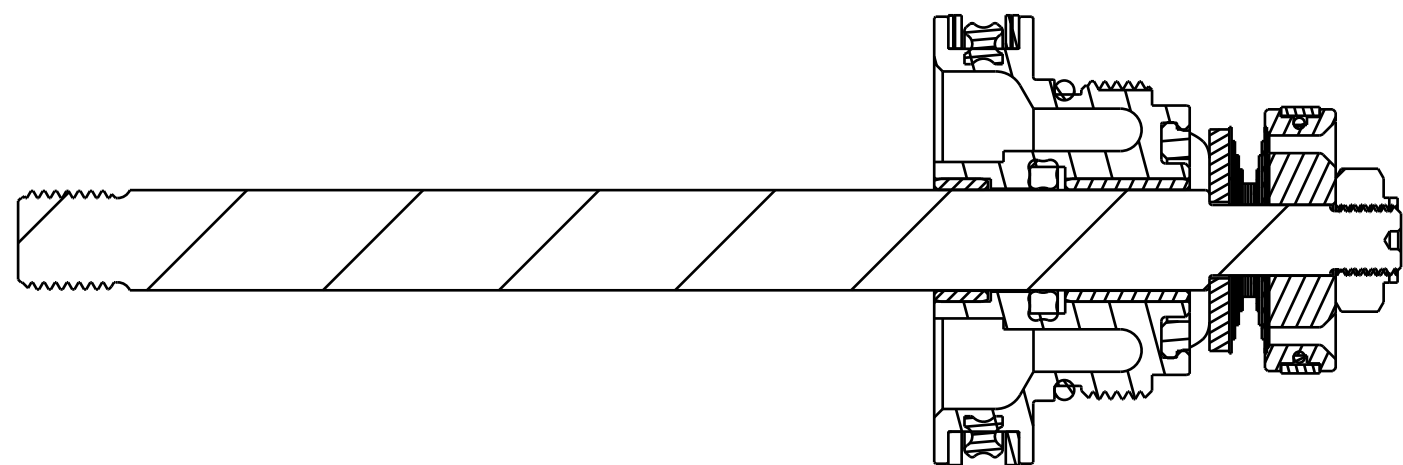


4

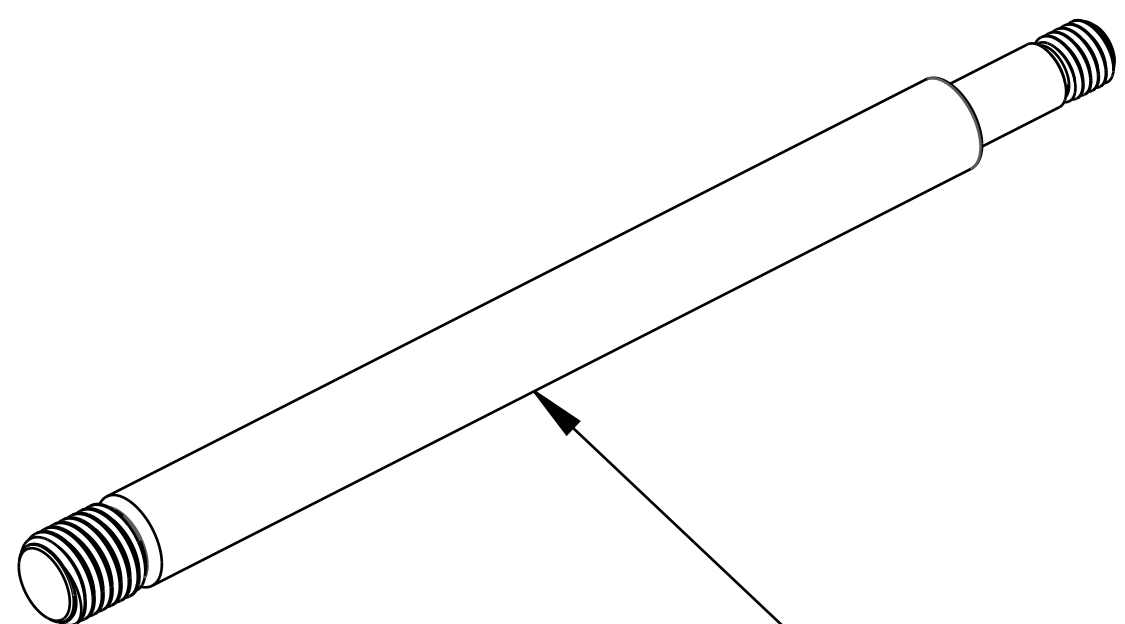
3

2

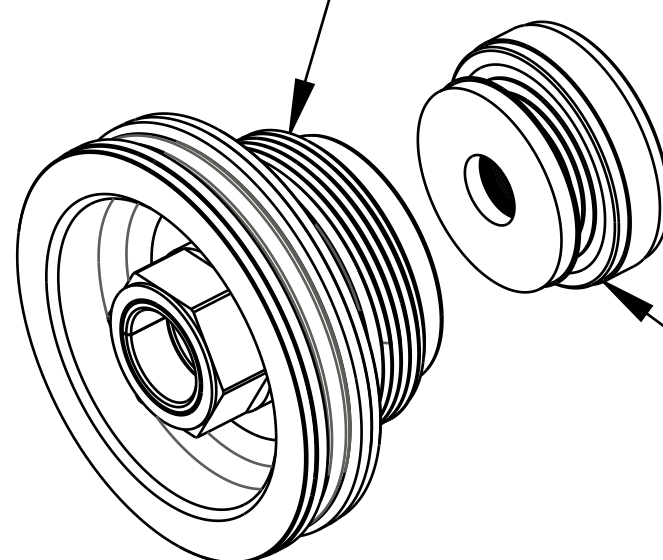
1



SECTION A-A



SHAFT



812-06-081-KIT  
 Bearing Assy: FLOAT X2, Black [.940 Bore, 1.600 Bore, 9mm Shaft]

018-00-012-A  
 Fastener, Standard: Nut [1/4-28 X 5/32 TLG] Grade 8, Zinc Plated



TORQUE:  
 60±2 IN.LB.

VALVE ASSY

- PROPRIETARY -  
 THIS DOCUMENT CONTAINS CONFIDENTIAL, PROPRIETARY INFORMATION  
 THAT IS FOX PROPERTY. DO NOT DISCLOSE TO OR DUPLICATE  
 FOR OTHERS EXCEPT AS AUTHORIZED BY FOX.

**FOX** FOX Factory, Inc. Ph 831-768-1100  
 130 Hangar Way, Watsonville, CA 95076 USA Fax 831-768-9312

TITLE  
 Shaft Assy:(T) Shaft,9mm,[0.25 Piston],  
 FLOATX2

SIZE DWG. NO.  
**C**  
 PLOT SCALE | .00:1 | SHEET 1 OF 1

4

3

2

ProE ASSEM